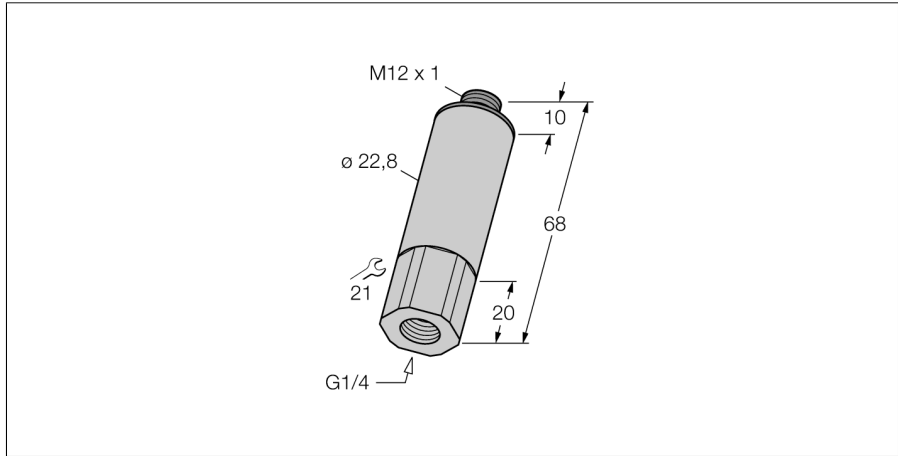
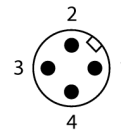
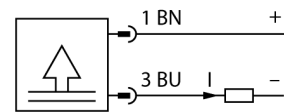


**Pressure Transmitter
with current output (2-wire)
PT040R-11-LI3-H1131**



- Compact and robust design
- Pressure connection with integrated peak pressure aperture
- Accuracy hardly affected by temperature within entire range -40...+125°C
- Excellent EMC properties
- Patented medium stop system, leakage protection in case of a burst
- Pressure range 0...40 bar

Wiring Diagram



Functional principle

The pressure transmitters of the PT...-1 series operate with piezo-resistive ceramic measuring cells. The ceramic diaphragm is unbalanced in proportion to the pressure applied. Depending on the sensor type used, the processed signal is provided as an analog output signal 4...20mA (2-wire) or 0...10V (3-wire).

Type designation	PT040R-11-LI3-H1131
Ident-No.	6831441
Pressure range	
Relative pressure	0...40 bar rel. 0...580.2 psi 0...4 MPa
Admissible overpressure	≤ 100 bar
Burst pressure	≥ 100 bar
Response time	< 2 ms, typ. 1 ms
Power supply	
Operating voltage	8...33 VDC
Current consumption	≤ 20 mA
Protective measure	SELV according to EN 50178
Short-circuit/reverse polarity protection	yes / yes
Protection type and class	IP67 / III
Outputs	
Output 1	Analog output
Analog output	
Current output	4...20 mA
Operating range	4...20 mA (2-wire)
Load	≤ 1 kΩ
Accuracy LHR analog output	± 0.3 % FS BSL
Calibration accuracy 0-point	0.3 % FS
Calibration accuracy full scale	0.3 % FS
Temperature behaviour	
Medium temperature	-40...+125 °C
Temperature coefficient zero point Tk0	± 0.15 % of full scale/10 K
Temperature coefficient span T _{is}	± 0.15 % of full scale/10 K
Ambient conditions	
Ambient temperature	-40...+85 °C
Storage temperature	-40...+85 °C
Vibration resistance	20 x g (9...2000 Hz, 2...9 Hz with an amplitude +/-15 mm), acc. to IEC 68-2-6
Shock resistance	100 g (11 ms) , acc. to IEC 68-2-27
Housing	
Housing material	Stainless-steel/Plastic, V2A (1.4305)
Pressure connection material	Stainless steel A2 1.4305 (AISI 303)
Pressure transducer material	Ceramics Al ₂ O ₃
Sealing material	FPM
Process connection	G1/4" female thread
Wrench size pressure connection / coupling nut	SW 21
Electrical connection	Connector, M12 x 1
Max. tightening torque housing nut	20 Nm

Pressure Transmitter with current output (2-wire) PT040R-11-LI3-H1131

Reference conditions acc. to IEC 61298-1

Temperature	15...+25 °C
Atmospheric pressure	860...1060 hPa abs.
Humidity	45...75 % rel.
Auxiliary power	24 VDC

MTTF 760 years acc. to SN 29500 (Ed. 99) 40 °C